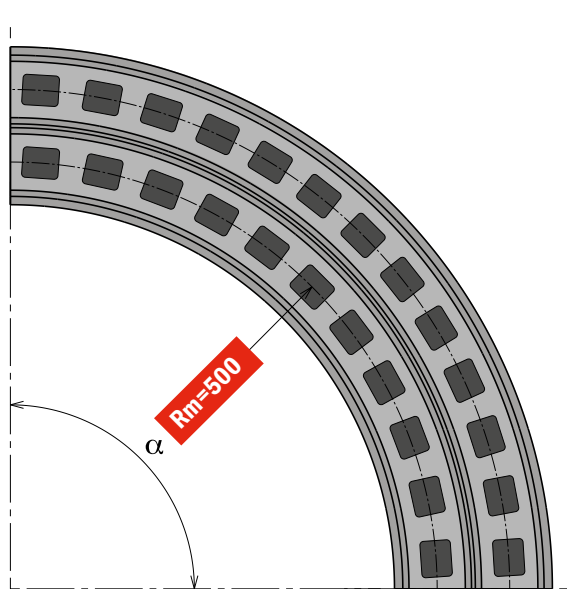


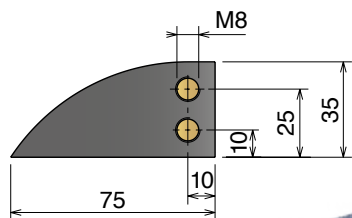
## 520 M MA7 Series

Chain Reference 520 M - K330

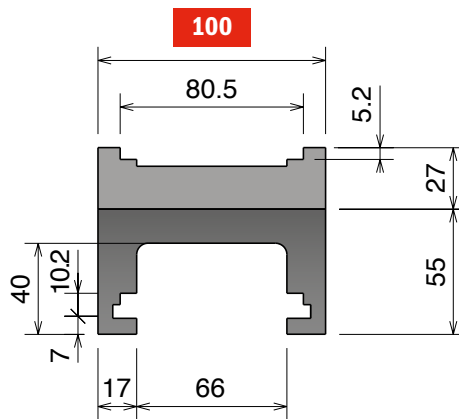
Curve Basic Width = 100 mm; Pitch = 85 mm



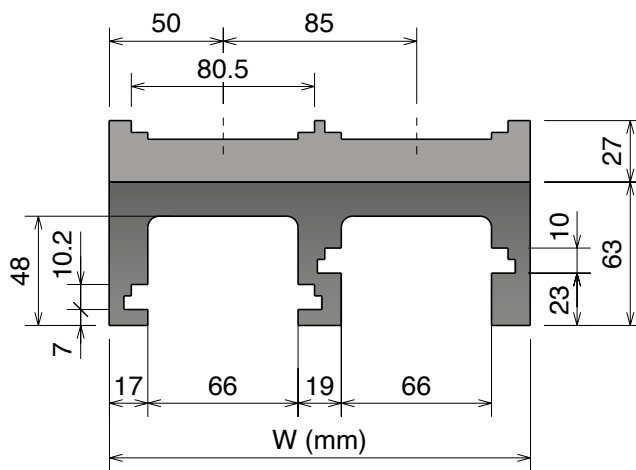
IN & OUT  
 AVAILABLE ALSO  
 125 mm - 100 mm - 50 mm



Available in  
**BluLub®**



SINGLE TRACK



W (mm)  
 MULTI TRACK

### SOLID complete curve

#### MAGNETIC SYSTEM

Solid curve in different materials available on request.

$\alpha$ 15°	$\alpha$ 30°	$\alpha$ 45°	$\alpha$ 60°	$\alpha$ 75°	$\alpha$ 90°	Tracks	W	Material
85011110	85011210	85011310	85011410	85011510	85011610	1	100	Standard codes for <b>UHMW-PE</b>
85011120	85011220	85011320	85011420	85011520	85011620	2	185	
85011130	85011230	85011330	85011430	85011530	85011630	3	270	
85011140	85011240	85011340	85011440	85011540	85011640	4	355	for <b>BluLub®</b> add "B"
85011150	85011250	85011350	85011450	85011550	85011650	5	440	
85011160	85011260	85011360	85011460	85011560	85011660	6	525	for <b>Abrasive</b> add "C"
85011170	85011270	85011370	85011470	85011570	85011670	7	610	
85011180	85011280	85011380	85011480	85011580	85011680	8	695	

# 520 M MA6 Series

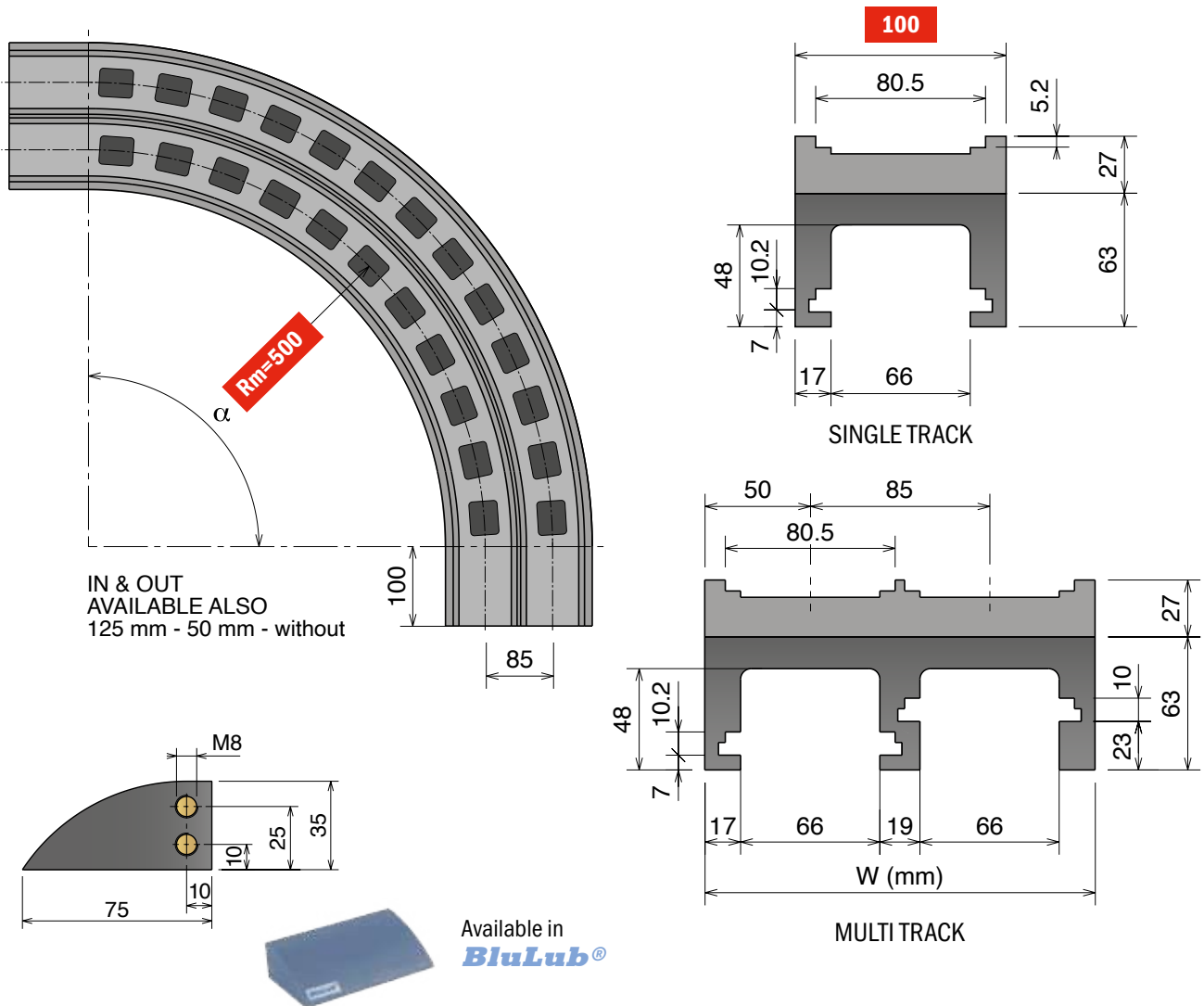
Curve magnetiche, Tab & Bevel / Magnetic, Tab & Bevel corner tracks / Kurvenführungen Magnet, Tab & Bevel Version

Materiale / Material / Materialien:  
 Polietilene UHMW-PE  
 Polyethylene UHMW-PE  
 Polyäthylen UHMW-PE

## 520 M MA6 Series

Chain Reference 520 M - K330

Curve Basic Width = 100 mm; Pitch = 85 mm



### SOLID complete curve

### MAGNETIC SYSTEM

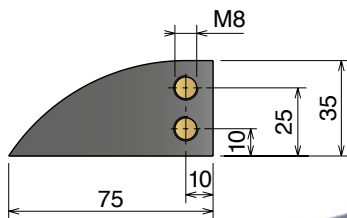
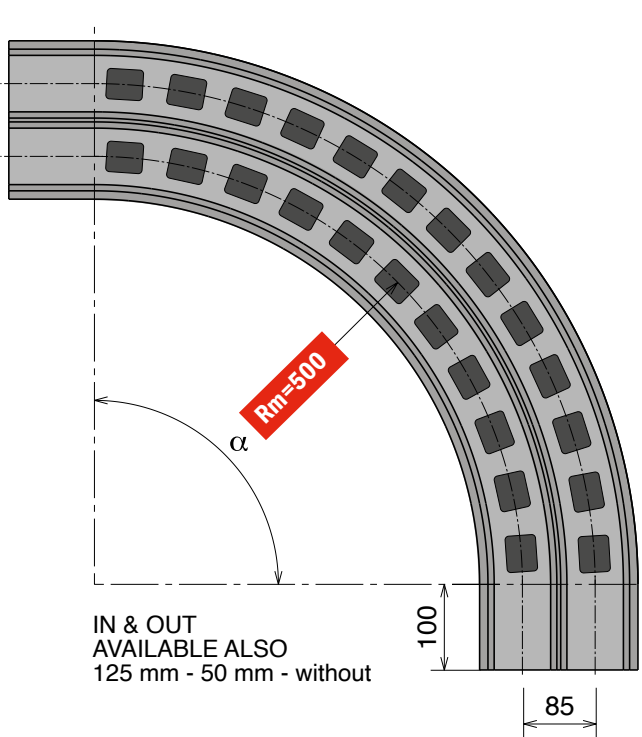
Solid curve in different materials available on request.

$\alpha$ 15°	$\alpha$ 30°	$\alpha$ 45°	$\alpha$ 60°	$\alpha$ 75°	$\alpha$ 90°	Tracks	W	Material
85011114	85011214	85011314	85011414	85011514	85011614	1	100	Standard codes for <b>UHMW-PE</b>
85011124	85011224	85011324	85011424	85011524	85011624	2	185	
85011134	85011234	85011334	85011434	85011534	85011634	3	270	for <b>BluLub®</b> add "B"
85011144	85011244	85011344	85011444	85011544	85011644	4	355	
85011154	85011254	85011354	85011454	85011554	85011654	5	440	for <b>Abrasive</b> add "C"
85011164	85011264	85011364	85011464	85011564	85011664	6	525	
85011174	85011274	85011374	85011474	85011574	85011674	7	610	
85011184	85011284	85011384	85011484	85011584	85011684	8	695	

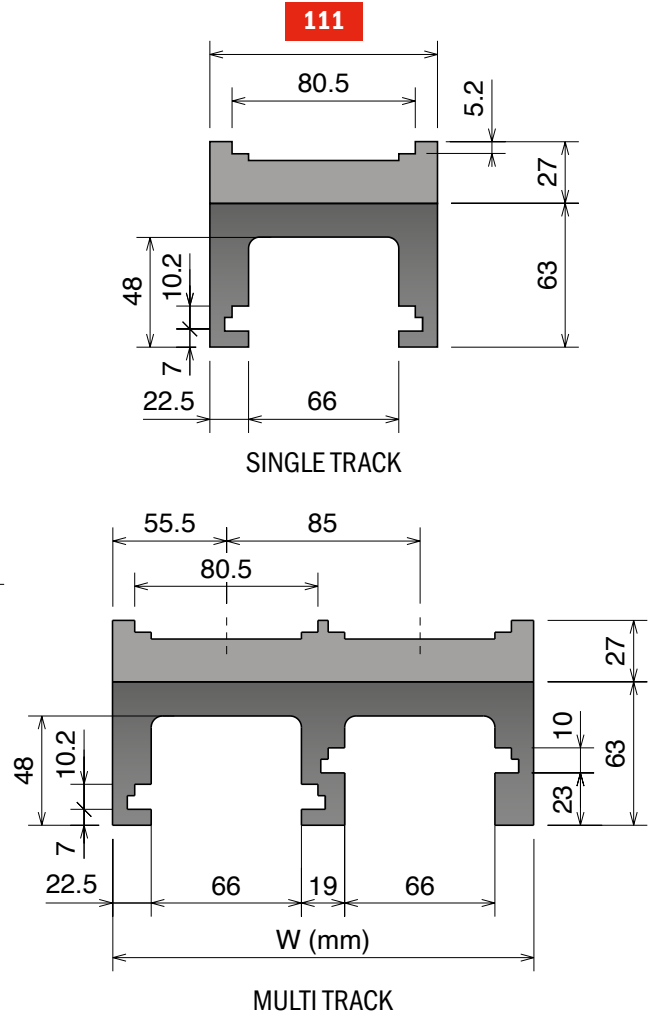
## 520 M MA4 Series

Chain Reference 520 M - K330

Curve Basic Width = 111 mm; Pitch = 85 mm



Available in **BluLub®**



### SOLID complete curve

### MAGNETIC SYSTEM

Solid curve in different materials available on request.

$\alpha$ 15°	$\alpha$ 30°	$\alpha$ 45°	$\alpha$ 60°	$\alpha$ 75°	$\alpha$ 90°	Tracks	W	Material
85111114	85111214	85111314	85111414	85111514	85111614	1	111	Standard codes for <b>UHMW-PE</b>
85111124	85111224	85111324	85111424	85111524	85111624	2	196	
85111134	85111234	85111334	85111434	85111534	85111634	3	281	
85111144	85111244	85111344	85111444	85111544	85111644	4	366	for <b>BluLub®</b> add "B"
85111154	85111254	85111354	85111454	85111554	85111654	5	451	
85111164	85111264	85111364	85111464	85111564	85111664	6	536	for <b>Abrasive</b> add "C"
85111174	85111274	85111374	85111474	85111574	85111674	7	621	
85111184	85111284	85111384	85111484	85111584	85111684	8	706	

# 520 M MA8 Series

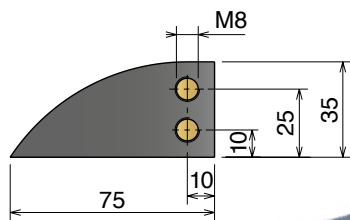
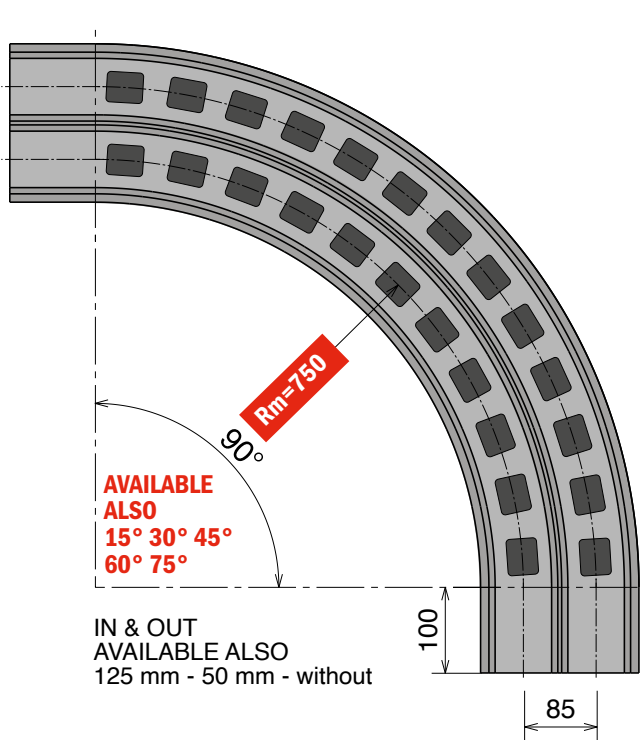
Curve magnetice, Tab & Bevel / Magnetic, Tab & Bevel corner tracks / Kurvenführungen Magnet, Tab & Bevel Version

Materiale / Material / Materialien:  
 Polietilene UHMW-PE  
 Polyethylene UHMW-PE  
 Polyäthylen UHMW-PE

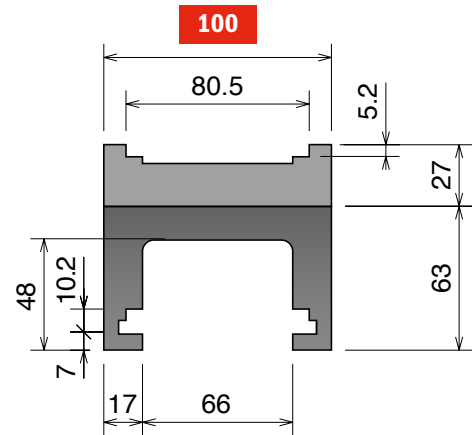
# 520 M MA8 Series

Chain Reference 520 M - K330

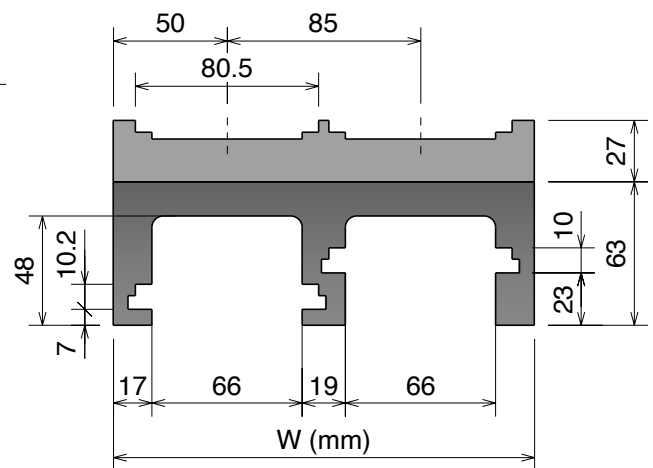
Curve Basic Width = 100 mm; Pitch = 85 mm



Available in **BluLub®**



SINGLE TRACK



MULTI TRACK

## SOLID complete curve

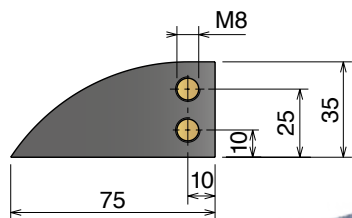
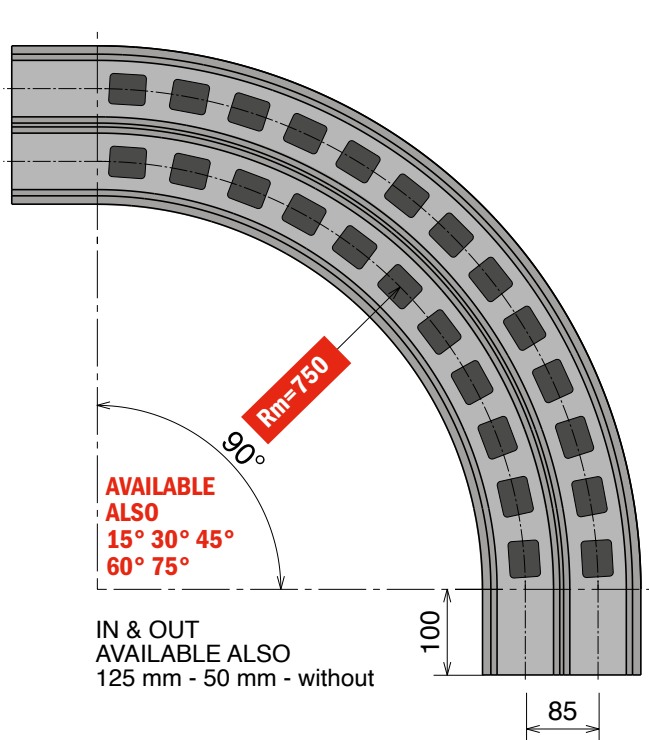
$\alpha$ 90°	Tracks	W	Material
85016614	1	100	Standard codes for <b>UHMW-PE</b>
85016624	2	185	
85016634	3	270	
85016644	4	355	for <b>BluLub®</b> add "B"
85016654	5	440	
85016664	6	525	for <b>C Abrasive</b> add "C"
85016674	7	610	
85016684	8	695	

**MAGNETIC SYSTEM**

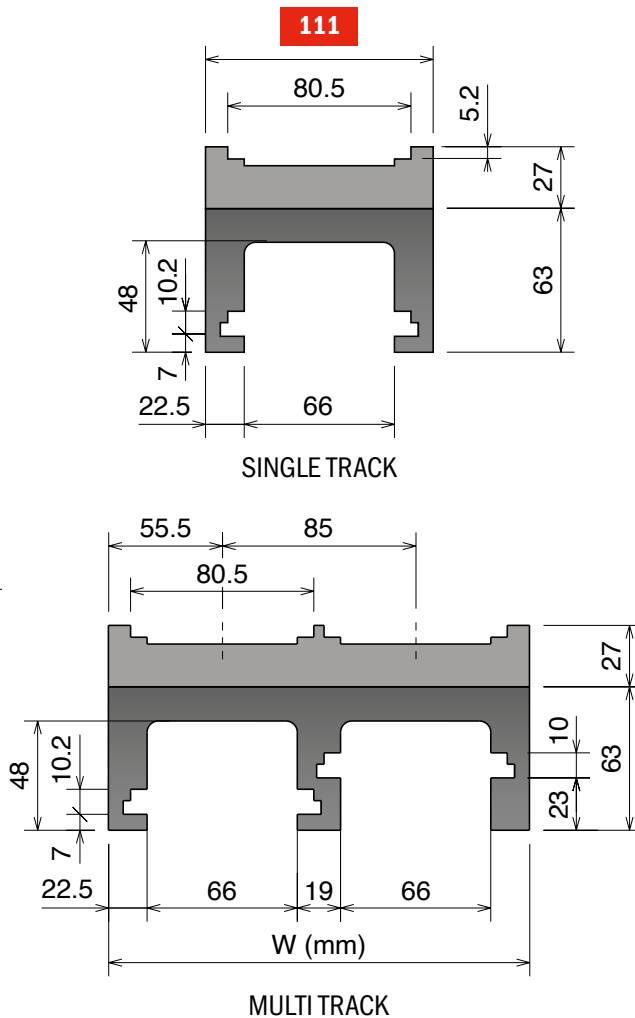
## 520 M MA42 Series

Chain Reference 520 M - K330

Curve Basic Width = 111 mm; Pitch = 85 mm



Available in  
**BluLub®**



### SOLID complete curve

$\alpha$ 90°	Tracks	W	Material
85116614	1	111	Standard codes for <b>UHMW-PE</b>
85116624	2	196	
85116634	3	281	for <b>BluLub®</b> add "B"
85116644	4	366	
85116654	5	451	for <b>C Abrasive</b> add "C"
85116664	6	536	
85116674	7	621	
85116684	8	706	

**MAGNETIC SYSTEM**

# 520 M MA43 Series

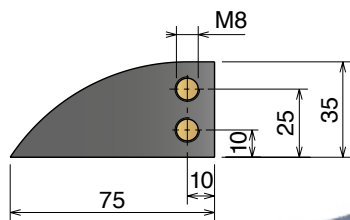
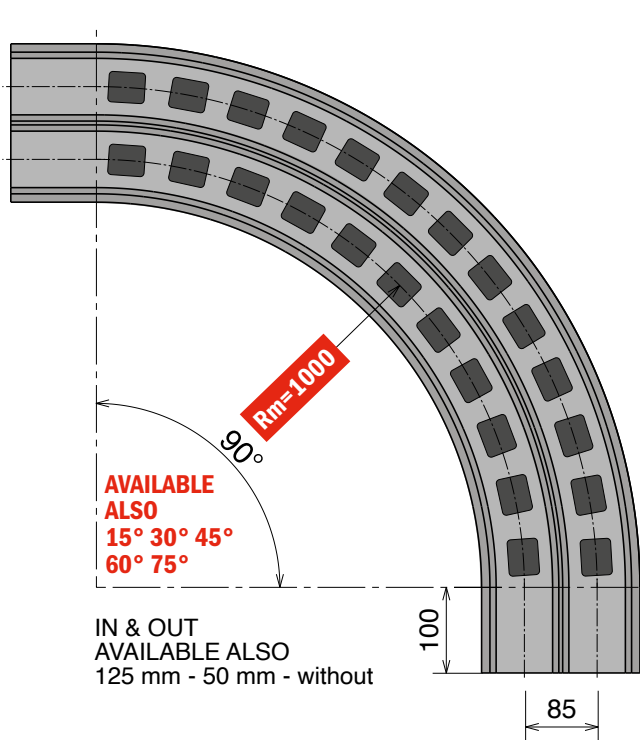
Curve magnetice, Tab & Bevel / Magnetic, Tab & Bevel corner tracks / Kurvenführungen Magnet, Tab & Bevel Version

Materiale / Material / Materialien:  
 Polietilene UHMW-PE  
 Polyethylene UHMW-PE  
 Polyäthylen UHMW-PE

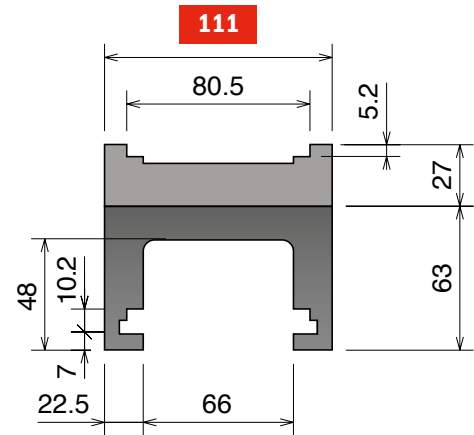
# 520 M MA43 Series

Chain Reference 520 M - K330

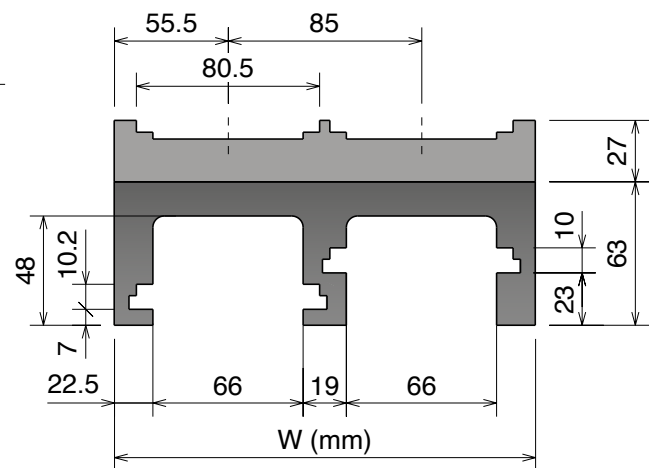
Curve Basic Width = 111 mm; Pitch = 85 mm



Available in **BluLub®**



SINGLE TRACK



MULTI TRACK

## SOLID complete curve

$\alpha$ 90°	Tracks	W	Material
85119614	1	111	Standard codes for <b>UHMW-PE</b>
85119624	2	196	
85119634	3	281	for <b>BluLub®</b> add "B"
85119644	4	366	
85119654	5	451	for <b>Abrasive</b> add "C"
85119664	6	536	
85119674	7	621	
85119684	8	706	

**MAGNETIC SYSTEM**

**Materiale / Material / Materialien:**  
 Polietilene UHMW-PE  
 Polyethylene UHMW-PE  
 Polyäthylen UHMW-PE

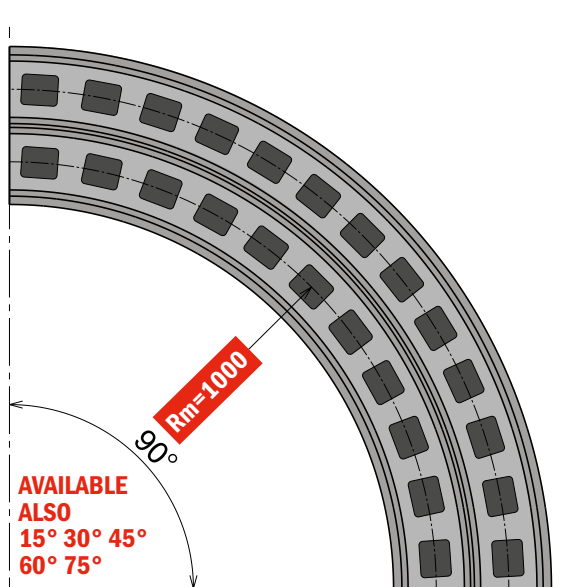
# 520 M MA5D Series

Curve magnetische, Tab & Bevel / Magnetic, Tab & Bevel corner tracks / Kurvenführungen Magnet, Tab & Bevel Version

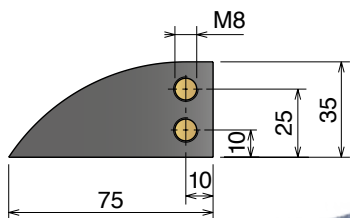
## 520 M MA5D Series

Chain Reference 520 M - K330

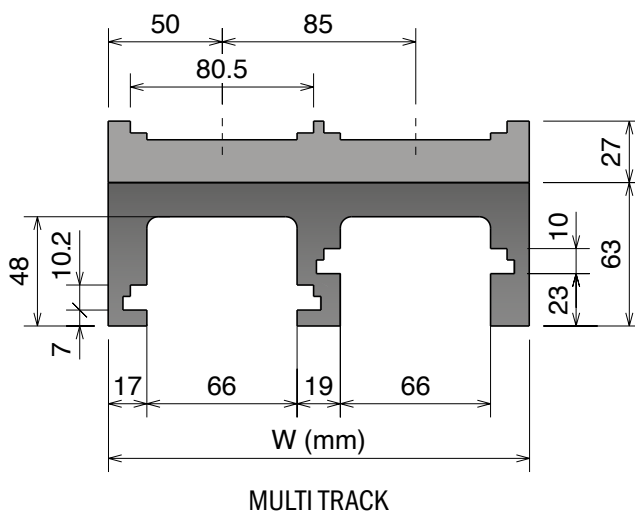
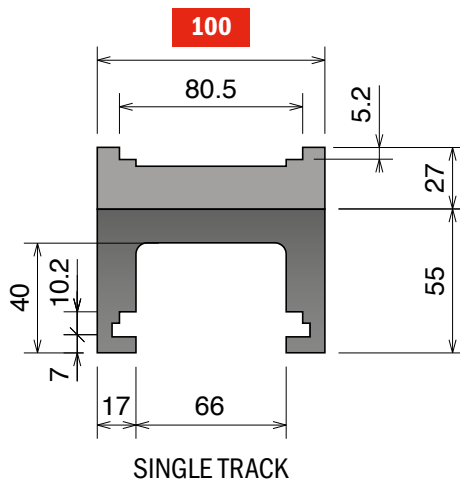
Curve Basic Width = 100 mm; Pitch = 85 mm



IN & OUT  
 AVAILABLE ALSO  
 125 mm - 100 mm - 50 mm



Available in  
**BluLub®**



### SOLID complete curve

$\alpha$ 90°	Tracks	W	Material
85019610	1	100	Standard codes for <b>UHMW-PE</b>
85019620	2	185	
85019630	3	270	for <b>BluLub®</b> add "B"
85019640	4	355	
85019650	5	440	for <b>C Abrasive</b> add "C"
85019660	6	525	
85019670	7	610	
85019680	8	695	

**MAGNETIC SYSTEM**