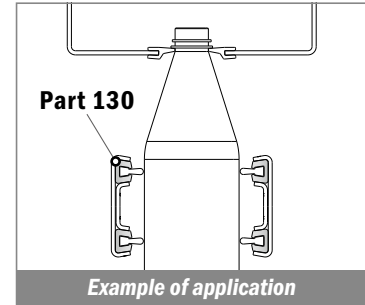
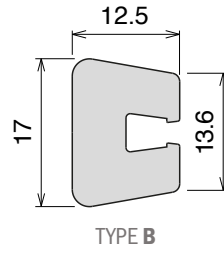
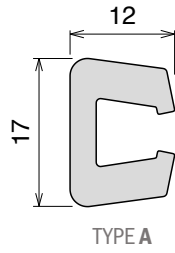
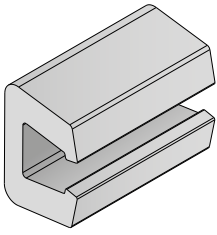


**Materiale / Material / Materialien:**  
 Poliammide rinforzato  
 Polyamide reinforced  
 Verstärktes Polyamid

## 130 Profilo in alluminio / Aluminum rail / Aluminium Profil

Delivery: **Easy** **Standard**

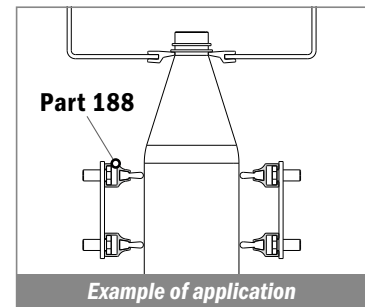
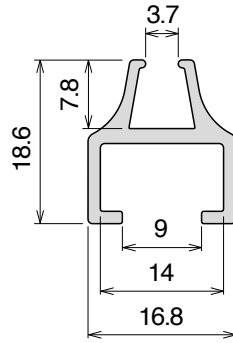
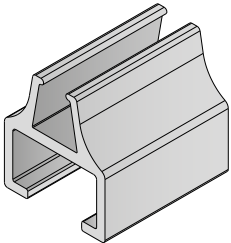
Article-Nr.	Type	Availability	Supply
<b>13001C</b>	A	Stock item	3 m bars
<b>13001</b>	A	On request	6 m bars
<b>13002C</b>	B	On request	3 m bars



## 188 Profilo in alluminio / Aluminum rail / Aluminium Profil

Delivery: **Easy** **Standard**

Article-Nr.	Availability	Supply
<b>18801C</b>	Stock item	3 m bars
<b>18801</b>	Stock item	6 m bars



Used with  
**Part 362** Page 558  
 and **Part 1097** Page 578

